



PLUGLESS™

Plugless™ Level 2 EV Charging System (3.3kW)

THE SMARTER WAY TO CHARGE YOUR EV.

Using inductive power transfer technology, Plugless L2 efficiently and safely charges your EV. It works just as fast as level 2 plug-in stations without the hassle of cables. And since Plugless starts charging automatically whenever you park over the system – even for a few minutes – your EV gets more frequent charges, which can help extend the life of your battery.

Plugless L2 is the first inductive charging system on the market, and it's been thoroughly tested by companies like Google, Hertz and Duke Energy.

HANDS-FREE, HASSLE-FREE.

With the Plugless L2 System, you simply pull into your parking space and your EV starts charging automatically. No dirty cords to untangle and no chance of forgetting to charge. The wall-mounted Control Panel guides you as you approach the Parking Pad to ensure correct alignment. Most people get it on their first try!



Images included here are subject to change; information shown describes production hardware
925 Fairview Road • Wytheville, VA 24382 • 276.228.7911 • info@evatran.com

Visit www.evatran.com for more information.

Plugless™ Level 2 EV Charging System (3.3kW)

System Features

- ✓ SAE Level II EVSE (electric vehicle supply equipment)

- ✓ Maximum 3.3kW output recommended 30A 240V breaker on dedicated circuit

- ✓ Designed for outdoor and indoor applications in both the residential and commercial charging sectors

- ✓ Manufactured in the U.S. using recycled materials when possible

- ✓ Industry-leading, durable design and intuitive user interface

- ✓ Includes tamper resistant hardware and protected entry

- ✓ Vehicle maintains its ability to plug-in to recharge if necessary

- ✓ Charges as fast as a conventional level 2 plug-in charger

- ✓ Maintains all vehicle telematics

- ✓ Requires no vehicle alterations

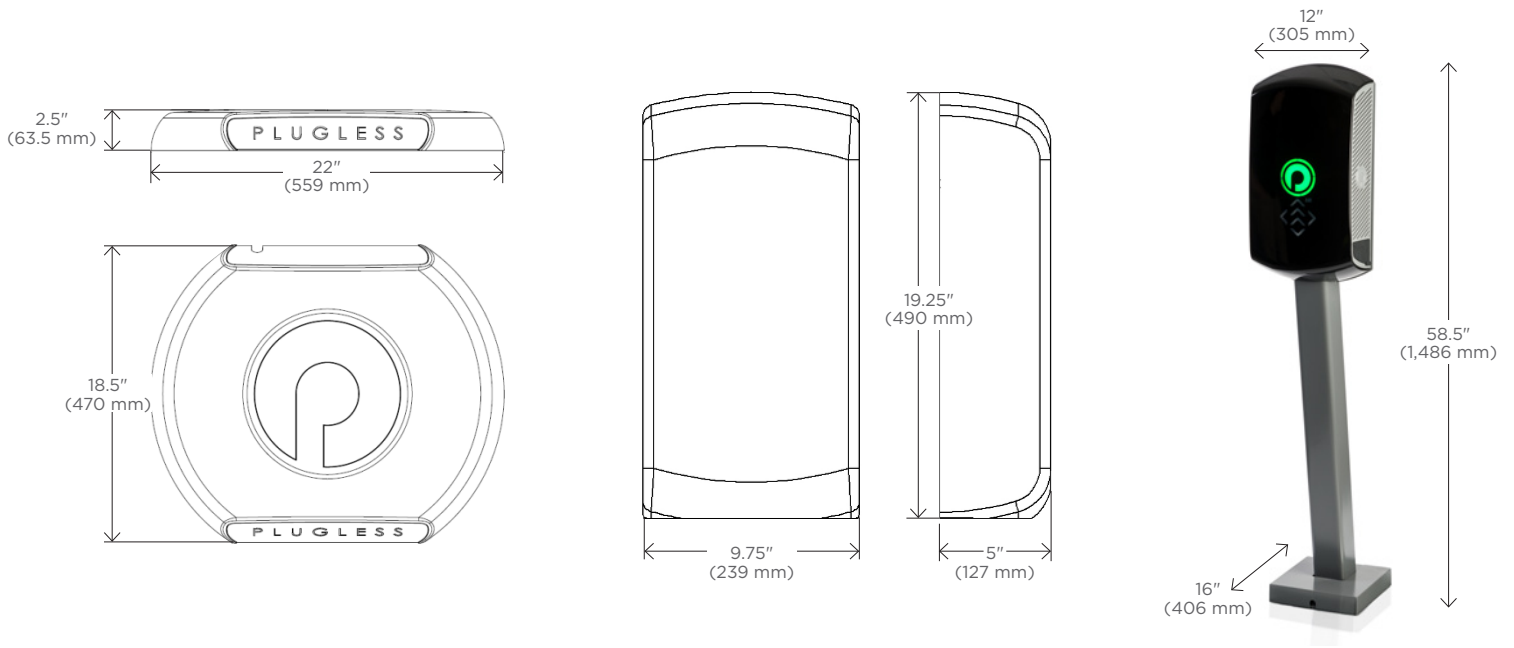


Images included here are subject to change; information shown describes production hardware
925 Fairview Road • Wytheville, VA 24382 • 276.228.7911 • info@evatran.com

Visit www.evatran.com for more information.

Plugless™ Level 2 EV Charging System (3.3kW)

Technical Specifications



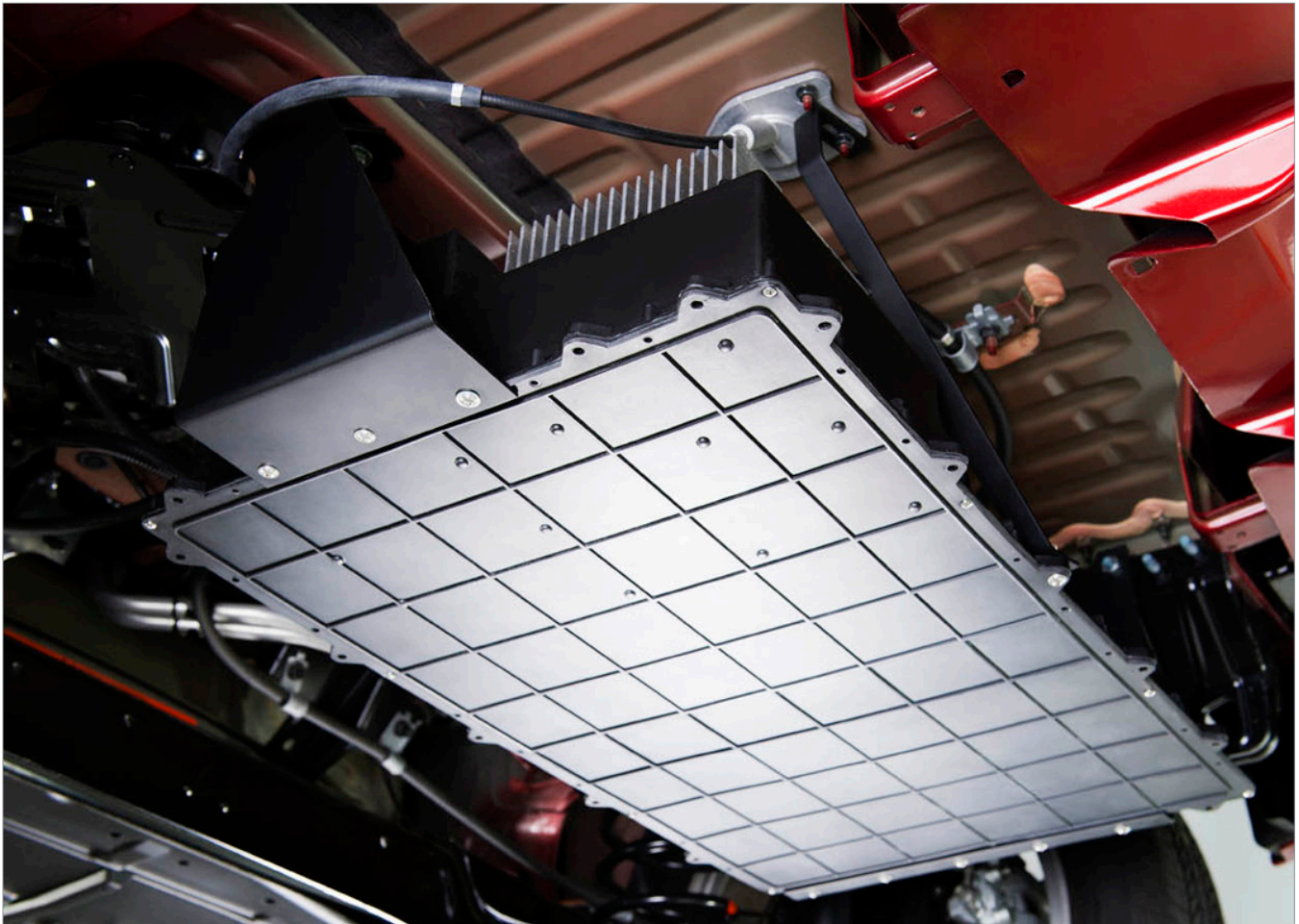
Charging Power Output	3.3 kW continuous
Charging Input Voltage	208 – 240 VAC
Input Power Connections	Line 1, Line 2, and Earth connection
Recommended Service Panel Breaker	30A, 2P, breaker on dedicated circuit rated for continuous duty
Parking Pad Maximum Wheel Load	Parking Pad Drive Over 1500 lbs (680 kg)
Nominal Gap	4" (10 cm)
Ground Clearance	7" (17.8 cm)
Vehicle Interface	J1772 EVSE emulation, interlocked to prevent the user attempting to charge the vehicle both inductively and conductively at the same time
Foreign Object Detection	Automatic detection and charging lockout of any ferrous or metallic materials on or near Parking Pad
Vehicle Guidance	Automatic X and Y alignment offset detection and user indication
Manufacturing	Manufactured in the USA using recycled materials when possible
Standards	NEC 625 (NFPA 70), SAE J1772, UL2594, UL2231, CSA170.1
Enclosure Ratings	NEMA 3R (Control Panel); NEMA 4 (Parking Pad)
Operating Temperature	-0° to 122°F (-18° to 50°C)
Approximate Weight	35 lbs (16 kg) excluding pedestal



Images included here are subject to change; information shown describes production hardware
 925 Fairview Road • Wytheville, VA 24382 • 276.228.7911 • info@evatran.com

Visit www.evatran.com for more information.

Plugless™ Level 2 EV Charging System (3.3kW) System Component



Dimensions: 18.25" (464 mm) x 30" (762 mm) x 5" (127 mm) (H x W x D)

VEHICLE ADAPTER

Permanently installed underneath the vehicle
and custom designed for each EV model



Images included here are subject to change; information shown describes production hardware
925 Fairview Road • Wytheville, VA 24382 • 276.228.7911 • info@evatran.com

Visit www.evatran.com for more information.

Plugless™ Level 2 EV Charging System (3.3kW) System Component



Dimensions: 2.5" (63.5 mm) x 22" (559 mm) x 18.5" (470 mm) (HxWxD)

PARKING PAD

Houses the transmitting portion of the system and is installed on the garage floor or parking space



Images included here are subject to change; information shown describes production hardware
925 Fairview Road • Wytheville, VA 24382 • 276.228.7911 • info@evatran.com

Visit www.evatran.com for more information.

Plugless™ Level 2 EV Charging System (3.3kW) System Component



CONTROL PANEL

Supplies power to the Parking Pad and provides alignment guidance and charging status

Dimensions: 19.25" (490 mm) x 9.75" (239 mm) x 5" (127 mm) (HxWxD)



Images included here are subject to change; information shown describes production hardware
925 Fairview Road • Wytheville, VA 24382 • 276.228.7911 • info@evatran.com

Visit www.evatran.com for more information.

Plugless™ Level 2 EV Charging System (3.3kW) System Component



PEDESTAL MOUNT (OPTIONAL)

Available if a wall is not present
for mounting the Control Panel

Dimensions (with Control Panel): 58.5" (1,486 mm) x 12" (305 mm) x 16" (406 mm) (HxWxD)



Images included here are subject to change; information shown describes production hardware
925 Fairview Road • Wytheville, VA 24382 • 276.228.7911 • info@evatran.com

Visit www.evatran.com for more information.